
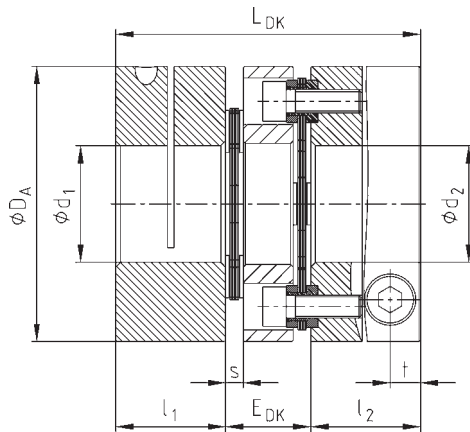


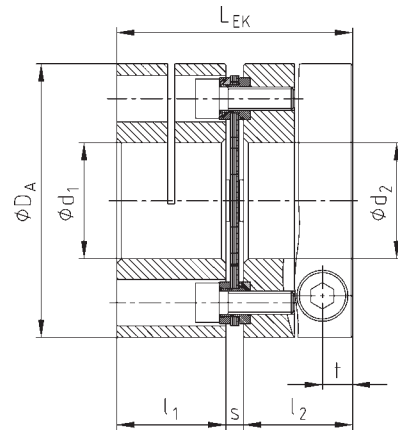
Standard types



- Backlash-free torque transmission
- Higher torsional rigidity
- Backlash-free shaft-hub-connection
- Low mass moment of inertia
- High speeds
- Operating temperature up to 200 °C
- Compact type
- Finish bore from Ø 6 mm also available with feather key acc. To DIN 6885 sheet 1 – JS9
-  Approved according to EC Standard 94/9/EC (Explosion Certificate ATEX 95) (without feather key only for category 3)



Type DK



Type EK

Size	Technical data					Displacement type DK			Displacement type EK		
	T_{KN} [Nm]	$T_{K \max.}$ [Nm]	Max. speed [min ⁻¹]	Torsional rigidity [Nm/rad]		Radial [mm]	Axial [mm]	Angular for each lamina [°]	Radial [mm]	Axial [mm]	Angular for each lamina [°]
				Type EK	Type DK						
5	2,5	5	25000	2400	1200	0,10	0,4	1	–	0,2	1
10	7,5	15	20000	5600	2800	0,14	0,8	1	–	0,4	1
15	20	40	16000	12000	6000	0,16	1,0	1	–	0,5	1
20	30	60	12000	30000	15000	0,25	1,2	1	–	0,6	1
25	60	120	10000	60000	30000	0,30	1,6	1	–	0,8	1
35	100	200	9000	72000	36000	0,40	2,0	1	–	1,0	1
42	180	360	7000	120000	60000	0,50	2,8	1	–	1,4	1

Size	Dimensions [mm]								Clamping screw		Mass moments of inertia	
	Max. d_1/d_2	D_A	l_1/l_2	L_{DK}	E_{DK}	L_{EK}	s	t	M	T_A [Nm]	DK [kgm ²]	EK [kgm ²]
5	10	26	12	34	10	26,5	2,5	3,5	M2,5	0,8	0,000004	0,000003
10	15	35	16	44	12	35	3	5,0	M4	3	0,000016	0,000012
15	20	47	21	55	13	45	3	6,8	M6	10	0,000065	0,000053
20	25	59	24	67	19	52	4	6,5	M6	10	0,000199	0,000154
25	35	70	32	88	24	69	5	9,0	M8	25	0,000508	0,000393
35	40	84	35	98	28	77	7	10,5	M10	49	0,001153	0,000911
42	55	104	40	116	36	91	11	10,5	M10	69	0,007458	0,006153

Size	Transmittable torque of the RADEX®-NC clamping hub [Nm] for standard bores																						
	Pilot bored	Ø 3	Ø 5	Ø 8	Ø 10	Ø 12	Ø 14	Ø 15	Ø 16	Ø 19	Ø 20	Ø 24	Ø 25	Ø 28	Ø 30	Ø 32	Ø 35	Ø 38	Ø 40	Ø 45	Ø 50	Ø 55	
5	2,5	2,2	2,3	2,4	2,5																		
10	4,5		8	9	10	10	11	11															
15	5,5				28	30	31	32	32	34	35												
20	7,5				36	37	38	39	40	41	44	45											
25	9,5						82	83	87	88	93	94	98	100	103	106							
35	11,5								155	157	165	167	173	177	181	187	193	197					
42	15,0										285	287	296	301	307	315	323	329	343	357	370		

Order form:

RADEX®-NC 20	DK	Ø 20	Ø 25
Coupling size	Type	Bore d_1	Bore d_2